



Laser Driver System

High Power Laser Standard Platform: LASY18A-12C

 Complete solution from mains to Fiber Laser

 Safety interlock system

 DC and pulse application
12 laser diode outputs for
3000 W optical power



PBF introduces the new standard in laser power systems. Compact and cost effective, designed especially for the dynamic behaviour in laser systems with up to 12 current outputs for 3000 W optical power.

The LASY18A-12C is a complete solution to drive up to 12 Fiber Laser strings. The LASY18A-12C is a water cooled system that can be directly connected to the world wide 3 phase mains net, and can drive directly almost any fiber laser. With e.g. 2 laser diodes of 190 W in series, it is possible to drive 24 fiber lasers 0 - 50 V.

The LASY18A-12C is a modular system and can be configured from 1 to 12 channels. It is a cost effective solution for laser systems in the range of 500 W to 3000 W.

The fail-safe interlock system is compatible with the required emergency systems and guarantees operator safety.

Technical Data

Technical Data

Input voltage	180-528 V _{ac} , 3 phase, 50/60 Hz
Output current	18 A per channel
Output voltage	0-50 V
Number of channels	1 to 12
Rise/fall time	<50 us
Dimensions	3 HE, 19"
Cooling type	Water cooling (integrated)

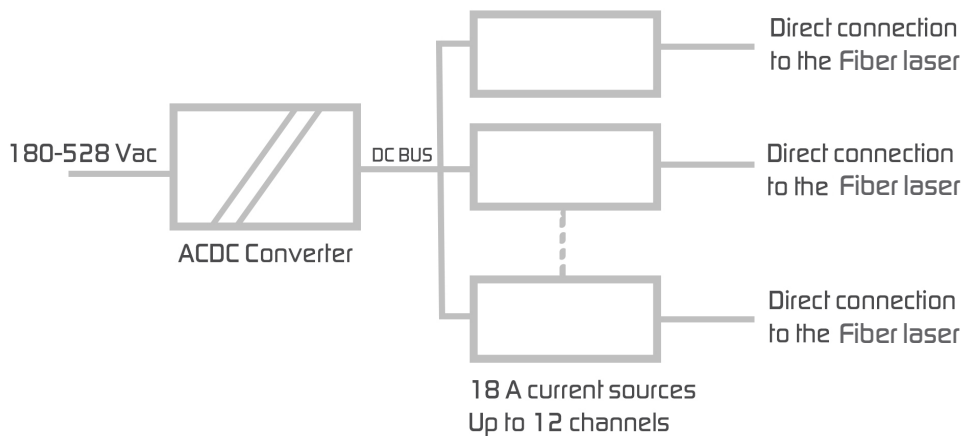
Specification

12 Channel Driver System



Modular laser driver system. 1 to 12 channels, suitable to generate from 500 to 3000 W optical power.

System Overview



subject to modifications 1706_v2